

CAUTION

GA 35 antennas with serial numbers below 110000 required screws with 80° countersink angle and most aviation fasteners (AN509) are NOT compatible. Serial numbers 110000 and higher, AN509 hardware is compatible.

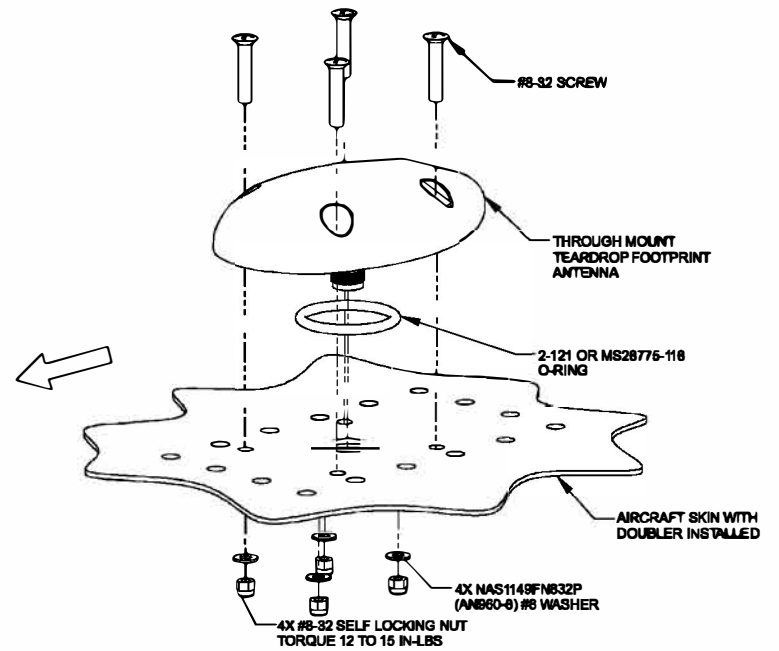
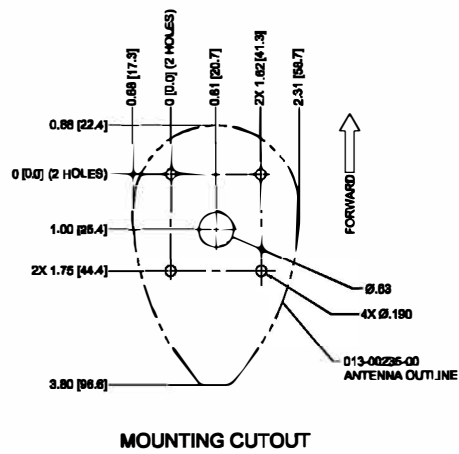


Figure A-1. GA 35 Antenna Installation Drawing